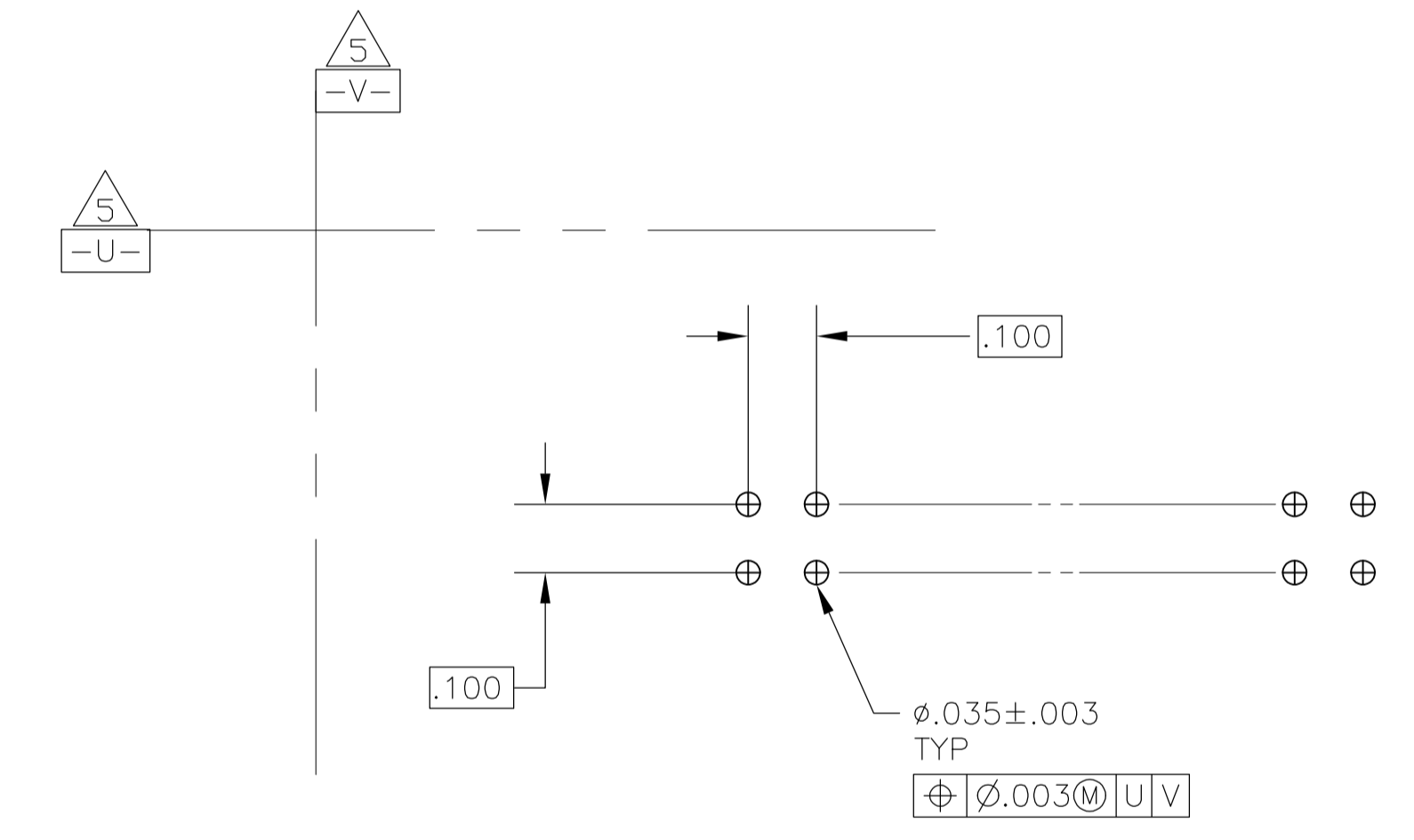
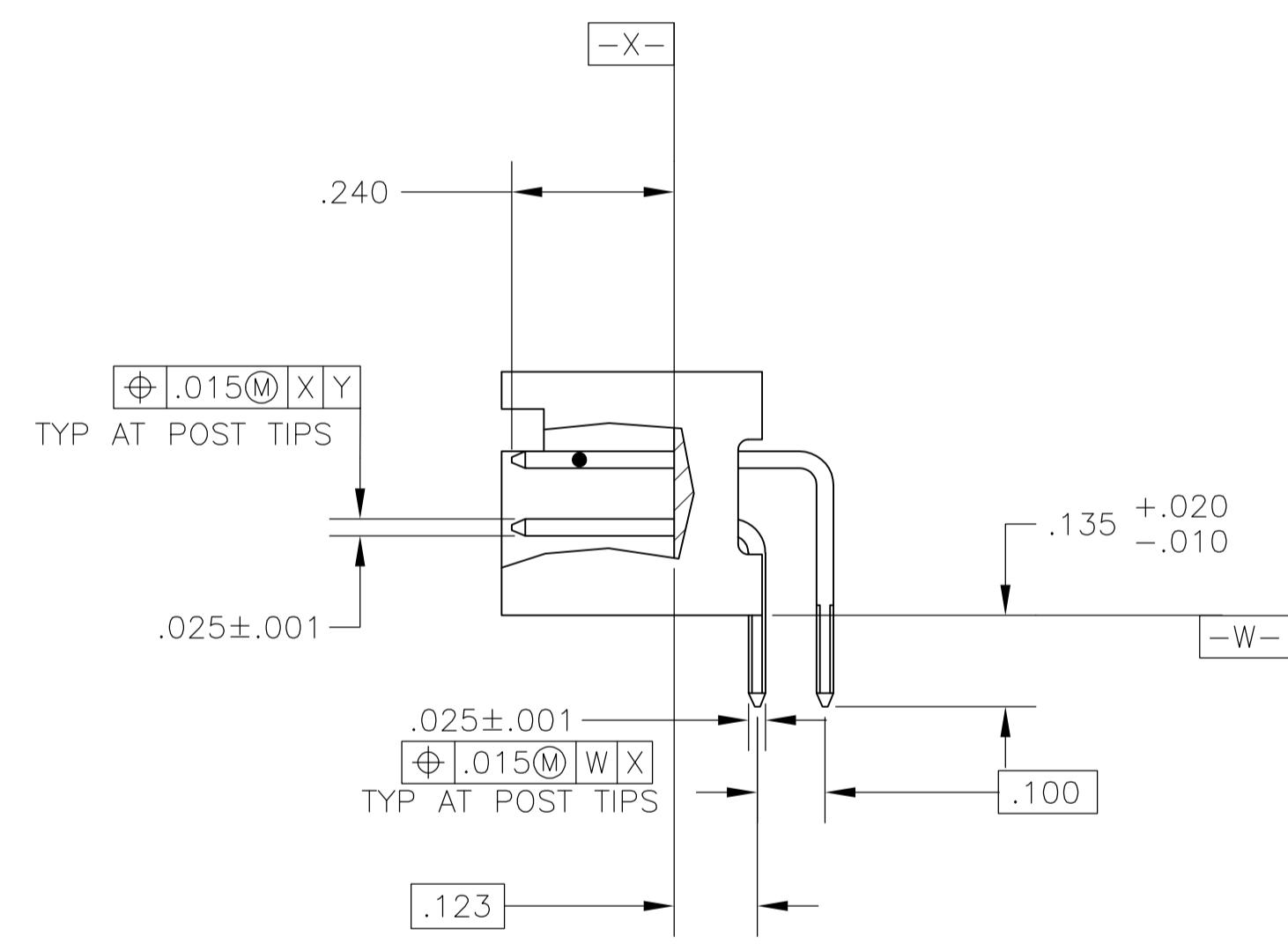
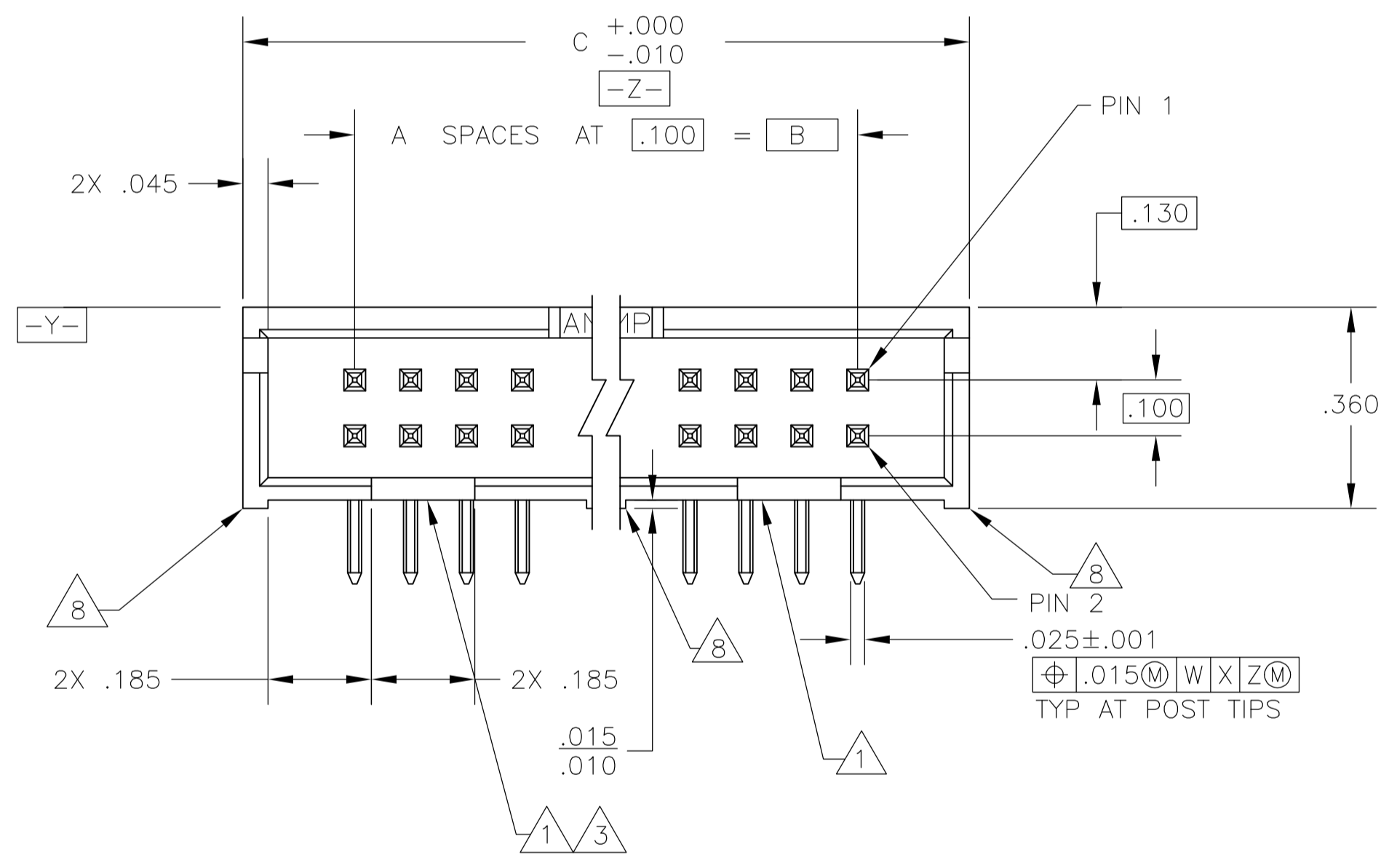
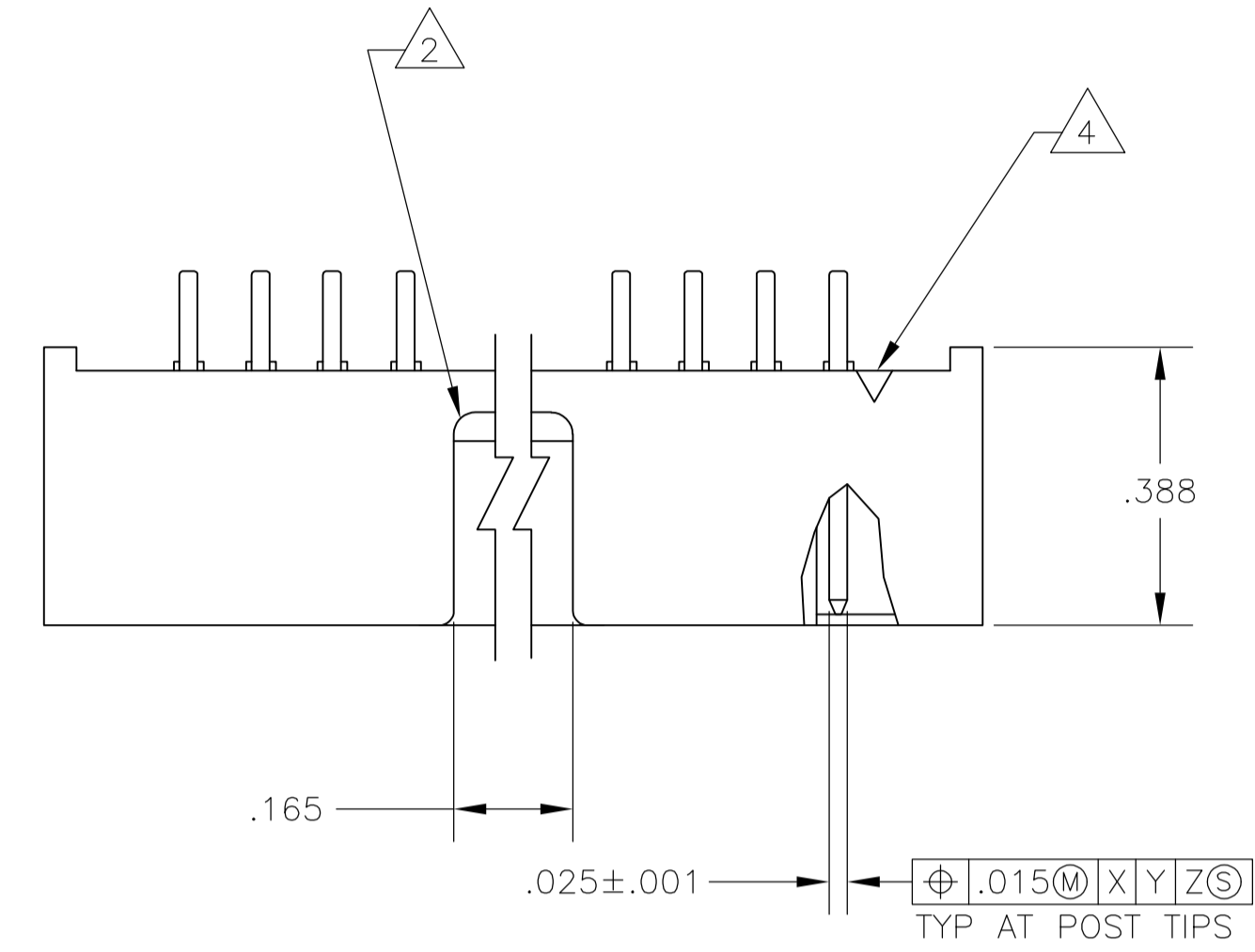


- 1 DOUBLE BAR POLARIZATION SLOTS.
- 2 CENTER POLARIZATION SLOT.
- 3 FOR 10 POSN ASSEMBLY, SLOT OMITTED IN THIS LOCATION.
- 4 NUMBER 1 POSITION INDICATOR.
- 5 DATUMS U & V TO BE ESTABLISHED BY THE CUSTOMER.
- 6 HOUSING: GLASS FILLED NYLON OR PBT, BLACK, UL 94V-0 RATED. POSTS: BRASS.
- 7 POSTS: GOLD FLASH OVER PALLADIUM-NICKEL PLATE, .000030 MIN TOTAL ON THE MATING SURFACES, .000100 MIN TIN PLATE ON THE SOLDER-TAILS, .000050 MIN NICKEL UNDERPLATE ON THE ENTIRE POST.
-OR-
.000030 MIN GOLD PLATE ON THE MATING SURFACES, .000100 MIN TIN PLATE ON THE SOLDER-TAILS, .000050 MIN NICKEL UNDERPLATE ON THE ENTIRE POST.
- 8 STANDOFFS: ALL POSITION SIZES- 2 LOCATED AT ENDS OF HOUSING. 20 THRU 34 POSITION SIZES-1 ADDITIONAL STANDOFF CENTERED ON HOUSING. 40 THRU 60 POSITION SIZES- 2 ADDITIONAL STANDOFFS EVENLY SPACED WITHIN REMAINING LENGTH OF HOUSING.



RECOMMENDED PCB LAYOUT

3.300	2.900	29	60	1-5103311-2
2.800	2.400	24	50	1-5103311-0
2.500	2.100	21	44	5103311-9
2.300	1.900	19	40	5103311-8
2.000	1.600	16	34	5103311-7
1.600	1.200	12	26	5103311-6
1.300	.900	9	20	5103311-5
1.100	.700	7	16	5103311-3
1.000	.600	6	14	5103311-2
.800	.400	4	10	5103311-1
C	B	A	NO OF POSN	PART NUMBER

THIS DRAWING IS A CONTROLLED DOCUMENT.

DIMENSIONS: INCHES	TOLERANCES UNLESS OTHERWISE SPECIFIED:	0 PLC ± -	1 PLC ± -	2 PLC ± -	3 PLC ± .005	4 PLC ± -	ANGLES ± -
MATERIAL		FINISH		WEIGHT		RESTRICTED TO	

DESIGNED BY: B. LATTUCA 03 NOV 05
 CHECKED BY: S. BOLASH 03 NOV 05
 APPROVED BY: M. WALMSLEY 03 NOV 05
 NAME: M. WALMSLEY
 PRODUCT SPEC: 108-40018
 APPLICATION SPEC: -
 SIZE: A1
 CAGE CODE: 00779
 DRAWING NO: 5103311
 SCALE: 4:1
 SHEET: 1 OF 1
 REV: F1

THIS DRAWING IS A CONTROLLED DOCUMENT. DATE: 03 NOV 05
 DRAWN BY: B. LATTUCA
 CHECKED BY: S. BOLASH
 APPROVED BY: M. WALMSLEY
 NAME: M. WALMSLEY
 PRODUCT SPEC: 108-40018
 APPLICATION SPEC: -
 SIZE: A1
 CAGE CODE: 00779
 DRAWING NO: 5103311
 SCALE: 4:1
 SHEET: 1 OF 1
 REV: F1

STE TE Connectivity
 HEADER ASSY, RIGHT ANGLE, LOW PROFILE, AMP-LATCH